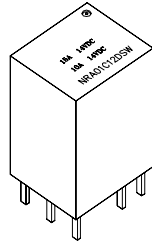




Industrial & Electrical Components

Automotive Relay

Part No. **NRA01**



Automobile control box or Alarm system
Low cost and high performance.
With or without Dust cover available.

CONTACT

Arrangement	A(SPSTNO),C(SPDT(B-M)), U(SPSTNODM),W(SPDTNC-NO)
Contact Material	Silver Alloy
Contact Resistance (By voltage drop 6V 1A)	Max. 100mΩ
Rating	
Resistive load (Cos.Φ=1)	A:20A/ 14VDC C:20A/14VDC U:2X10A/14VDC W:2X10A/14VDC
Motor Inrush	
Max. Allowable Voltage	75VDC
Max. Allowable Current	20A
Max. Allowable Power	280W
Service life	
Electrical	1 X 10 ⁵
Machanical	1 X 10 ⁷

CHARACTERISTICS

Operate Time	10ms
Release Time	10ms
Initial breakdown voltage	
Between coil & contact	50Hz 1500VAC for 1 Min.
Between open contacts	50Hz 750VAC for 1 Min.
Insulation Resistance	Min.100MΩ (500 VDC)
Ambient temperature	-40 ~+85
Relative Humidity	85%(at 40)
VibrationFunctional	10 to 40 Hz D.A. of 1.27mm
Terminals strength	10N
Unit weight	12g Max.

ORDERING INFORMATION

e.g

NRA - 01 - C - 12D - X - S

Series: NCR Automotive Relay Series

Part No.

Contact Form: C= 1C; A = 1A; U= 2A; W= 2C

Coil Voltage: 6, 9, 12, 24 dc

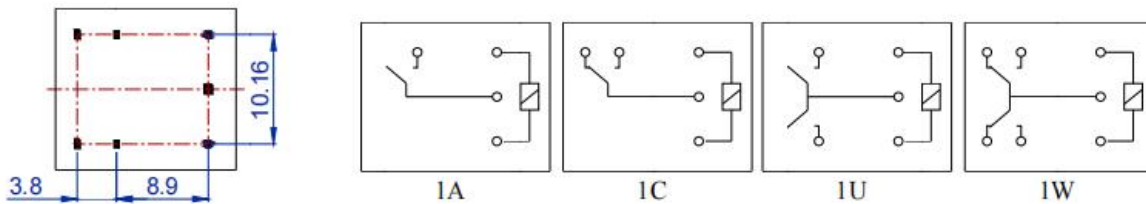
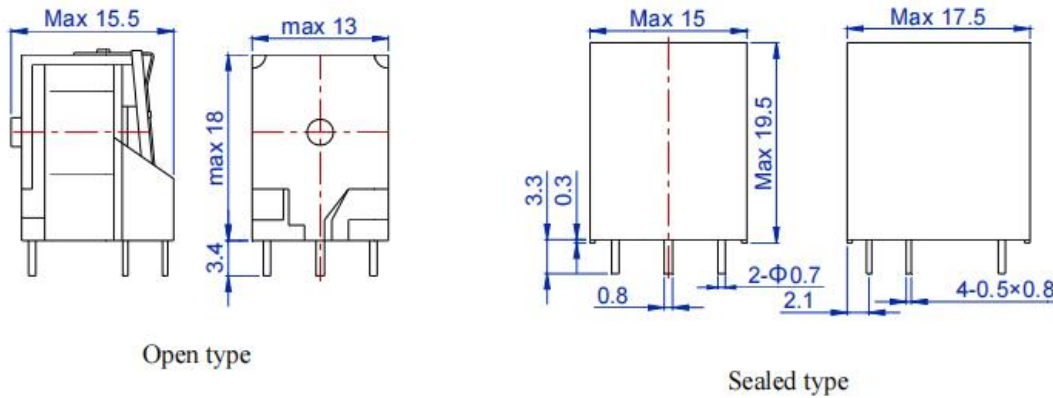
Coil Power: 1.0=1.0; 1.2=1.2

S= Sealed type K= Open type (without cover)

COIL DATA (at 20)

Nominal Voltage (VDC)	Pick-up Voltage VDC(Max)	Drop-out Voltage VDC(Min)	Coil Resistance (Ω) \pm 10%	Max.Allowable Voltage	Coil Power
6	4.50	0.60	36	130% apply to nominal Voltage	1.0W
9	6.75	0.90	81		
12	9.00	1.20	145		
24	18.00	2.40	576		
12	9.00	1.20	120		1.2W

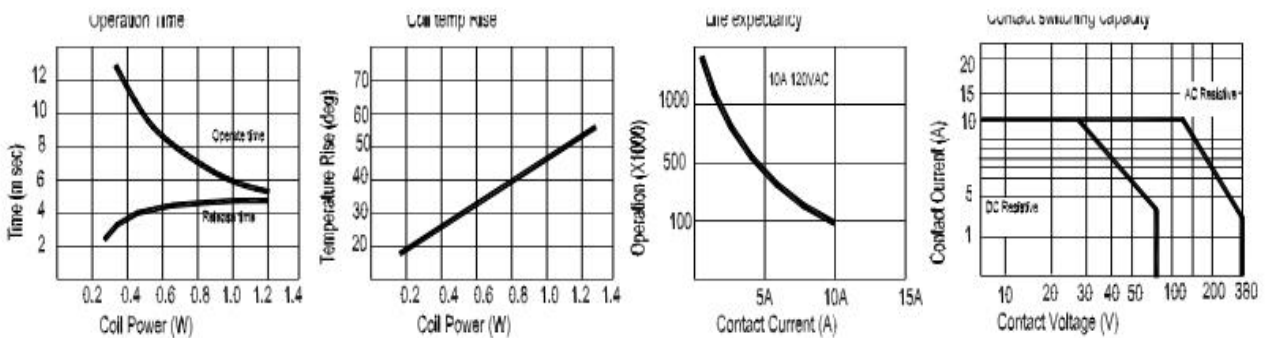
DIMENSIONS (Unit: mm)



Terminal Layout (Bottom views)

Wiring diagram (Bottom views)

Reference Data 性能曲线图



Disclaimer:

The specifications in this datasheet are for reference only and subject to change without notice.No chance for us to evaluate all the specifications and technical parameters for each possible application.The users will take the responsibility to choose the correct products for their own applications. While if any technical support is needed, please contact NCR team for assistance.