

NRP SERIES



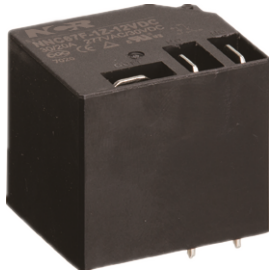
Industrial & Electrical Components

Miniature P.C.B Relay

Part No.

NRP-16

NRP-16T



High switching capacity - 40A for 1 Form A
Fasten connection pins
Sealed type available
UL/C-UL recognized

CONTACT

Arrangement	1A / 1B / 1C
Contact Material	Silver Alloy
Contact Resistive (6VDC,1A)	100 mΩ
Rating	30A : 1A: 30A 240VAC/28VDC
Resistive load (cosφ=1)	1B: 20A 240VAC/28VDC 1C: 30A/20A 240VAC/28VDC
	40A : 1A: 40A 240VAC/28VDC 1B: 30A 240VAC/28VDC 1C :40A/30A 240VAC/28VDC
Max. Switching Voltage	240VAC 28VDC
Max. Switching Current	40A
Max. Switching Power	9600VA
Min.Switching Load	5V 10mA
Expected life	
Mechanical	1×10 ⁶ Min
Electrical	1×10 ⁵ Min.

CHARACTERISTICS

Operate Time	15ms. Max.
Release Time	10ms. Max.
Initial breakdown voltage	
Between Coil & Contact	2500VAC for 1 min (Leakage current 1mA)
Between Open Contacts	1800VAC for 1 min (Leakage current 1mA)
Insulation Resistance	Min.100MΩ (500 VDC)
Shock:	
Endurance	At peak acceleration 1000 m/s ² Duration 6ms
Error operation	At peak acceleration 100 m/s ² Duration 11ms
Vibration	
Endurance	10 to 55 Hz ,1.5mm D.A. 10 to 55 Hz ,1.5mm D.A.
Humidity	40%~85%RH
Ambient temperature	-45 to +85
Unit weight	36g

ORDERING INFORMATION

e.g

NRP - 16 - T - C - 12D

Series: Miniature p.c.b Relay

Part No.

Contact rated load:
Nil = 30A, T=40A

Contact Form:

C=1C/O; A = N/O; B= N/C

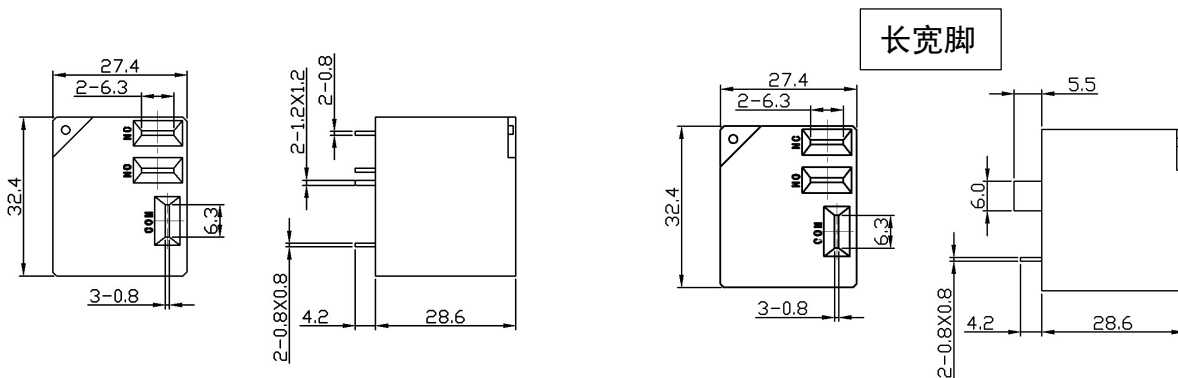
Coil Voltage: 12D= 12Vdc 24D= 24Vdc

COIL DATA (at 20)

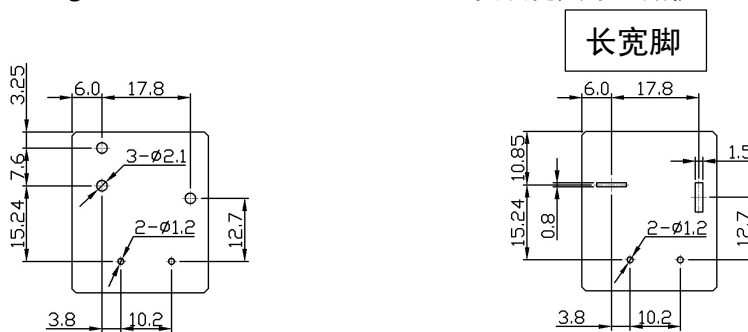
Nominal Voltage (VDC)	Pick-up Voltage VDC(Max)	Drop-out Voltage VDC(Min)	Coil Resistance (Ω) \pm 10%	Nominal operating Power (W)	Max.Allowable Voltage
5	3.75	0.50	26.9	0.93	130% of nominal Voltage
6	4.50	0.60	38.8		
9	6.75	0.90	87.1		
12	9.00	1.20	154.9		
24	18.00	2.40	619.4		
48	36.00	4.80	2477.5		

DIMENSIONS

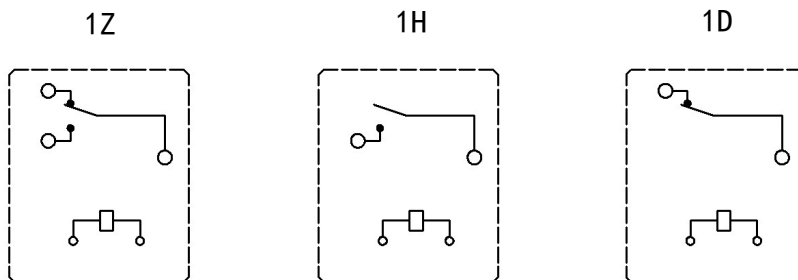
Unit: mm



Mounting instruction (Bottom view) 安装孔尺寸 (底视):



Wiring diagram (Bottom view) 线路图 (底视):



Disclaimer:

The specifications in this datasheet are for reference only and subject to change without notice.No chance for us to evaluate all the specifications and technical parameters for each possible application.The users will take the responsibility to choose the correct products for their own applications. While if any technical support is needed, please contact NCR team for assistance.