

NRP SERIES



Industrial & Electrical Components

Miniature P.C.B Relay

Part No.

NRP-15



High switching capacity - 30A for 1 Form A
Reliable Contacting
Sealed type available
UL/C-UL recognized

CONTACT

Arrangement	1A / 1B / 1C
Contact Material	Silver Alloy
Contact Resistive (6VDC,1A)	100 mΩ
Rating	1A: 30A 240VAC/28VDC
Resistive load (cosφ=1)	1B: 20A 240VAC/28VDC 1C: 20A 240VAC/28VDC
Max. Switching Voltage	240VAC 28VDC
Max. Switching Current	30A
Max. Switching Power	7200VA / 840W
Expected life	
Mechanical (At no load, 300ops/minute)	1×10 ⁷ Min
Electrical (Resistive load, 10 ops/minute)	1×10 ⁵ Min.

CHARACTERISTICS

Operate Time	15ms. Max.
Release Time	10ms. Max.
Initial breakdown voltage	
Between Coil & Contact	2500VAC (50/60Hz) for 1 min.
Between Open Contacts	1800VAC (50/60Hz) for 1 min.
Insulation Resistance	Min.100MΩ (500 VDC)
Shock Resistance	
Error Operation: at peak acceleration 100m/s ²	Duration 11ms
Error Endurance: at peak acceleration 1000m/s ²	Duration 6ms
Vibration	Endurance 10 to 55 Hz , 1.5mm D.A.
	Damage 10 to 55 Hz , 1.5mm D.A.
Humidity	45%~85%RH
Ambient temperature	-45to +85
Unit weight	24g

ORDERING INFORMATION

e.g

NRP - 15 - C - 12D

Series: Miniature p.c.b Relay

Part No.

Contact Form:

C=1C/O; A = N/O; B= N/C

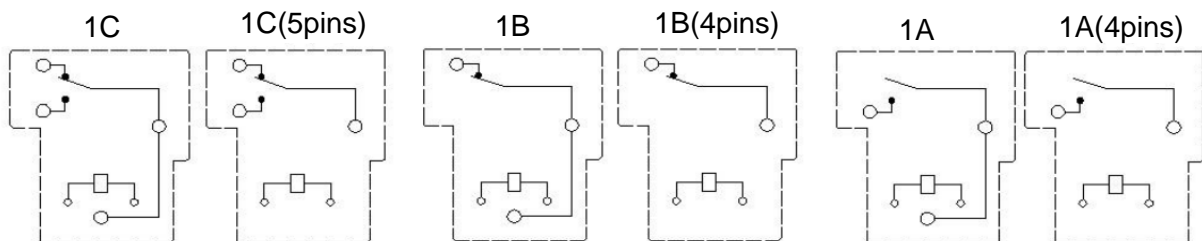
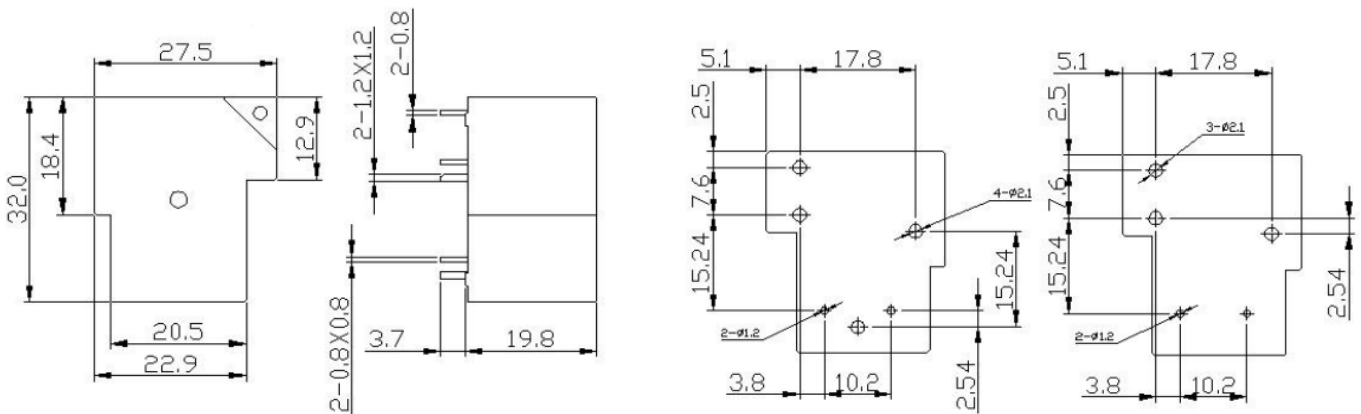
Coil Voltage: 12D= 12Vdc 24D= 24Vdc

COIL DATA (at 23)

Nominal Voltage	Pick-up Voltage	Drop-out Voltage	Coil Resistance (Ω)±10%	Nominal operating Power (W)	Max.Allowable Voltage
DC Coils	VDC(Max)	VDC(Min)			
5	3.75	0.50	26.9	0.93W	130% of nominal Voltage
6	4.50	0.60	38.8		
9	6.75	0.90	87.1		
12	9.00	1.20	154.9		
24	18.00	2.40	619.4		
48	36.00	4.80	2477.5		
AC Coils					
12	9.60	3.60	33.6	1.5VA	110% of nominal Voltage
24	19.20	7.20	135.0		
48	38.40	14.40	538.0		
110	88.00	33.00	2820.0		
220	176.00	66.00	11300.0		
240	192.00	72.00	13440.0		

DIMENSIONS

Unit: mm



Disclaimer:

The specifications in this datasheet are for reference only and subject to change without notice.No chance for us to evaluate all the specifications and technical parameters for each possible application.The users will take the responsibility to choose the correct products for their own applications. While if any technical support is needed, please contact NCR team for assistance.